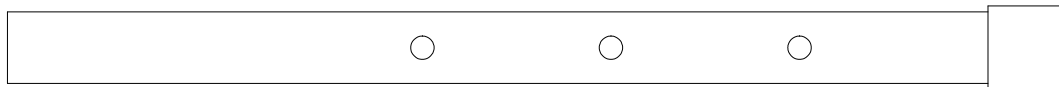
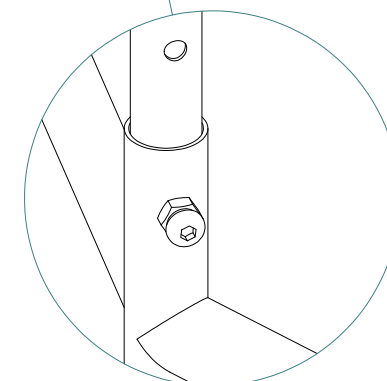
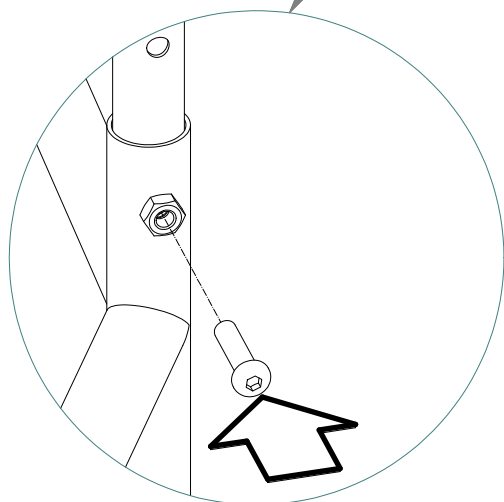
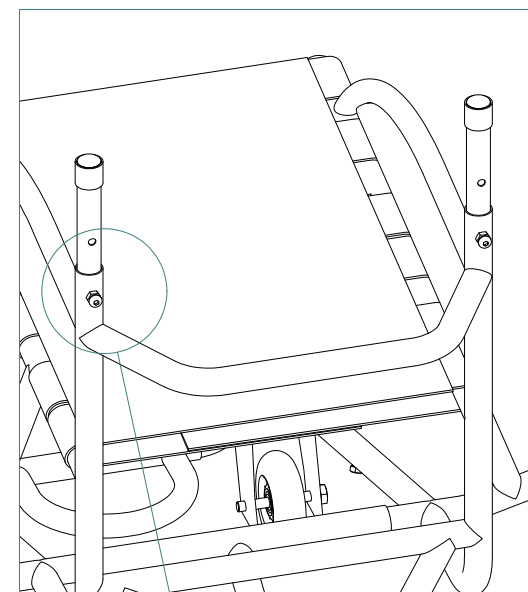
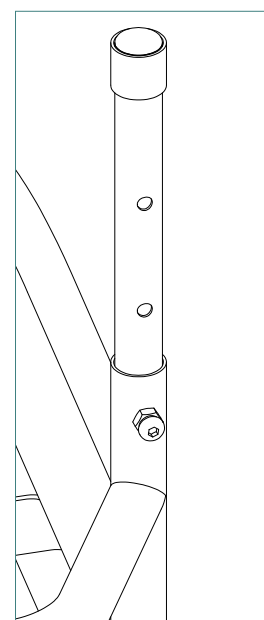
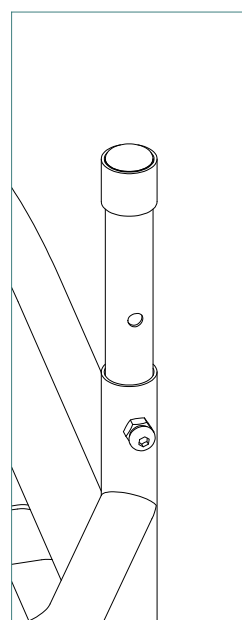
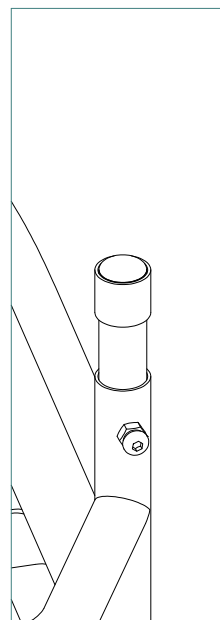
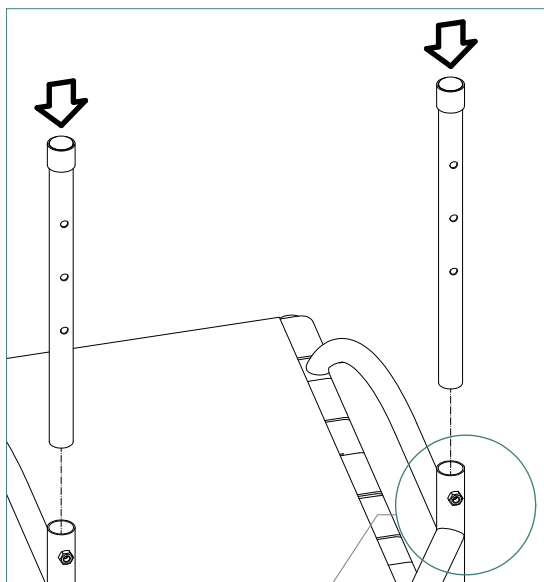
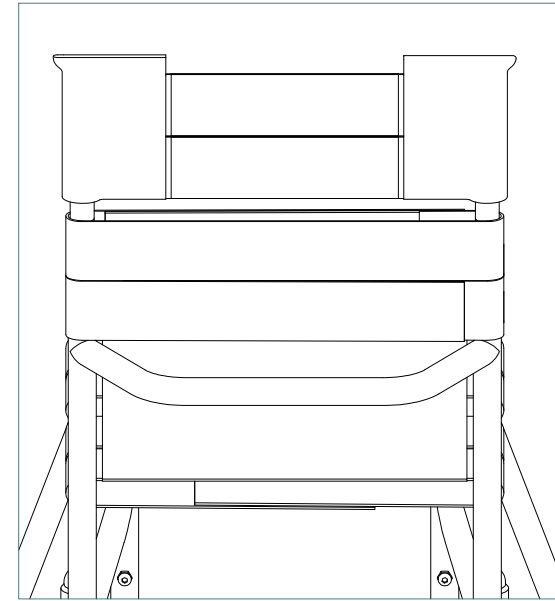
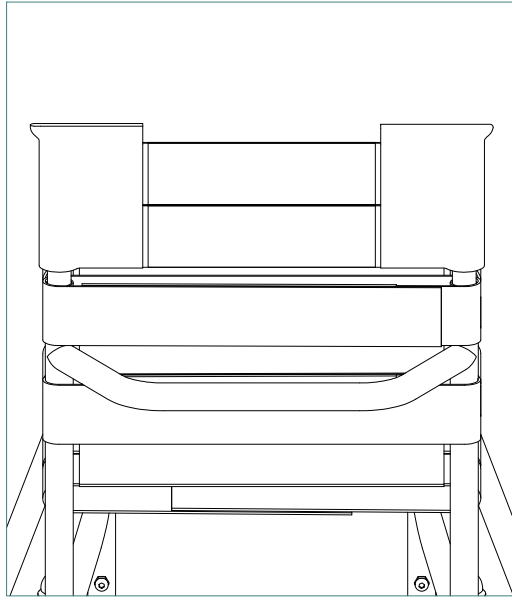
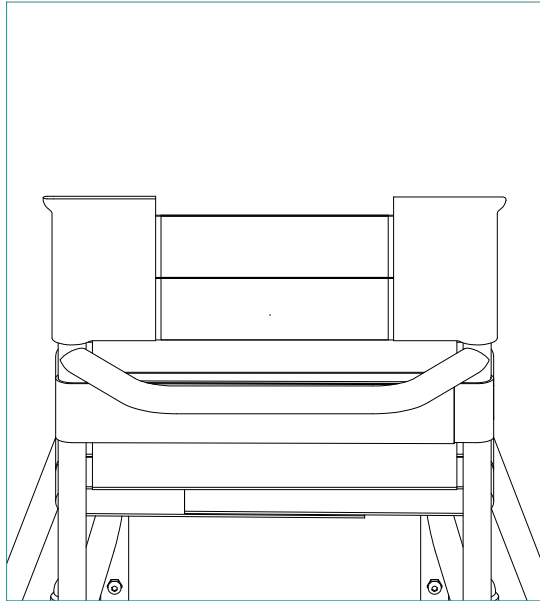
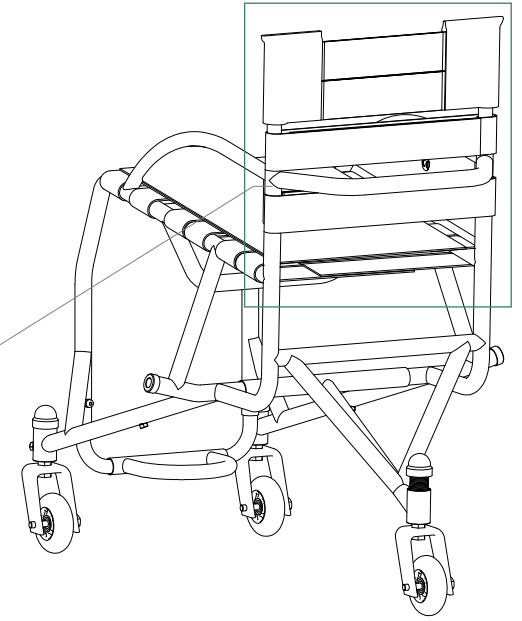
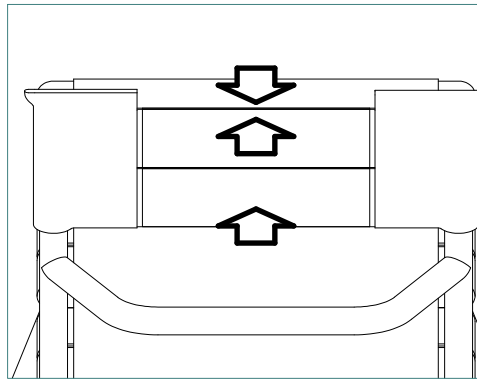
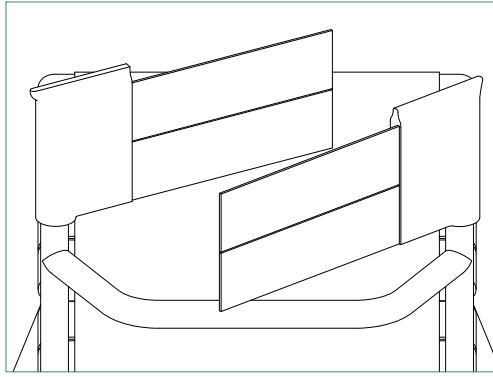


2 x

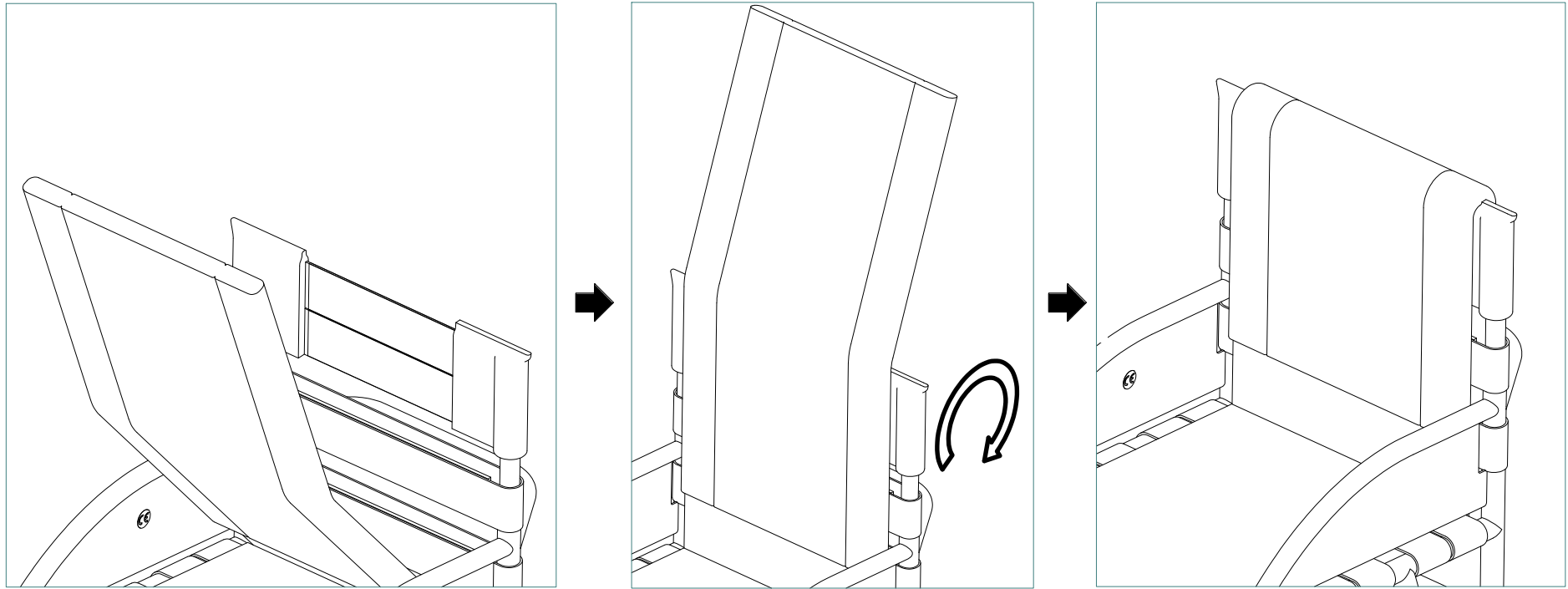


2 x

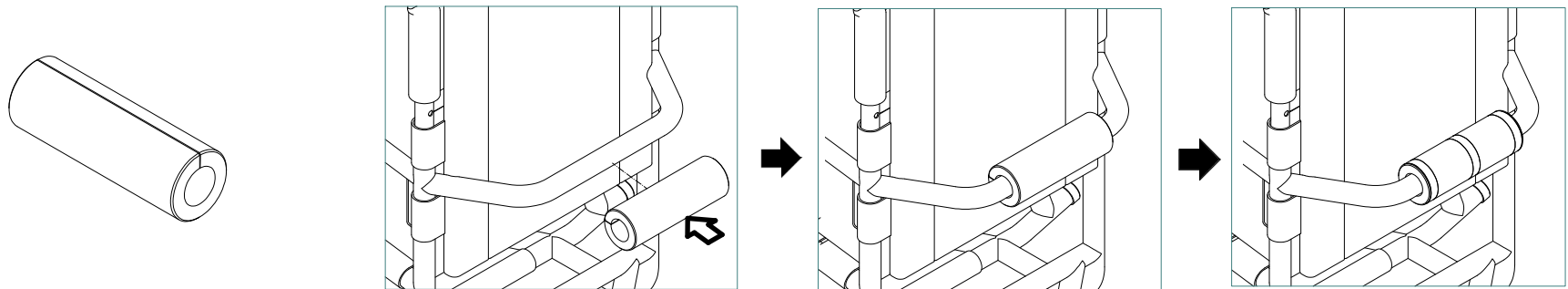


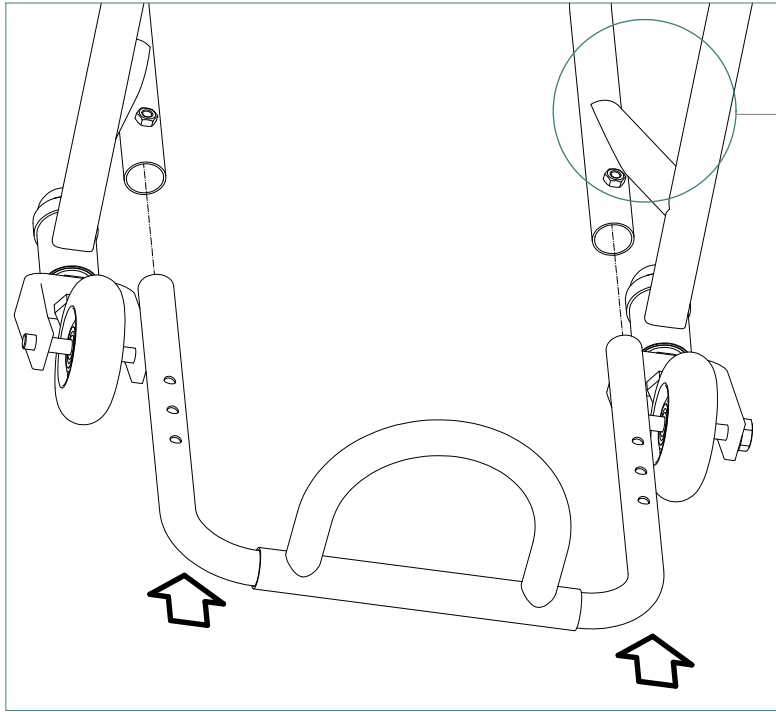


1

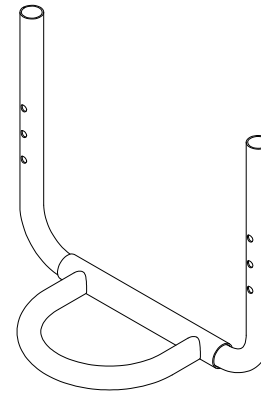


2

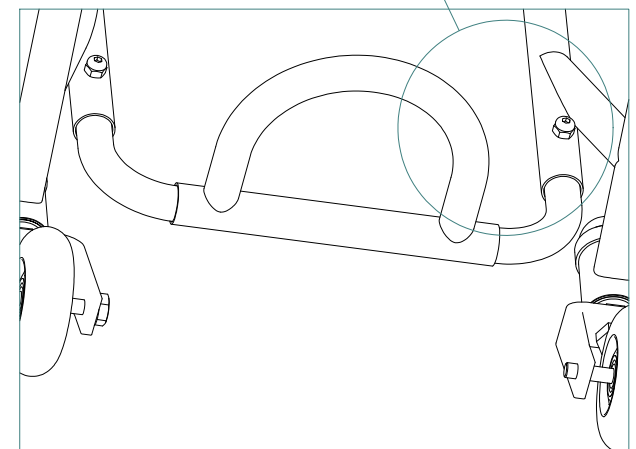
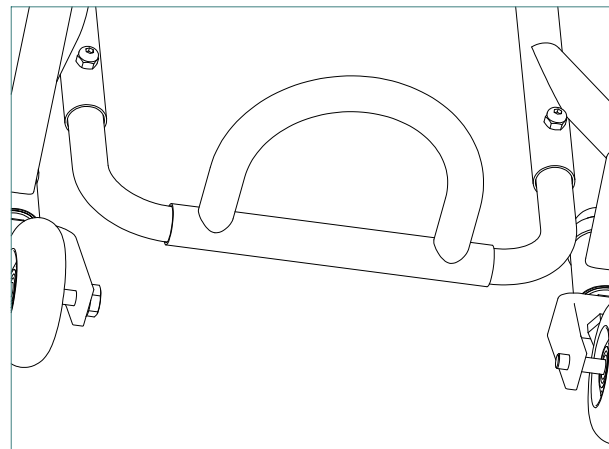
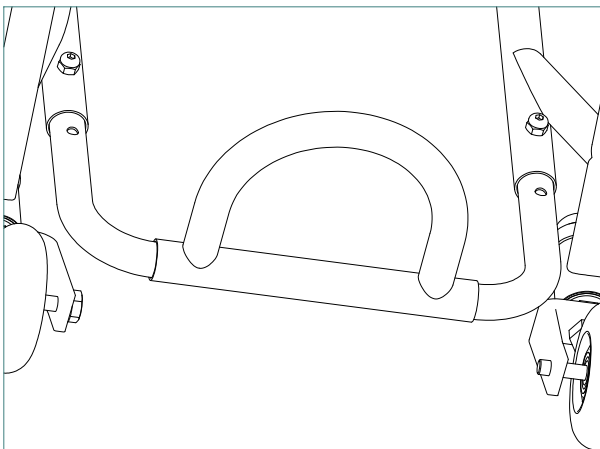
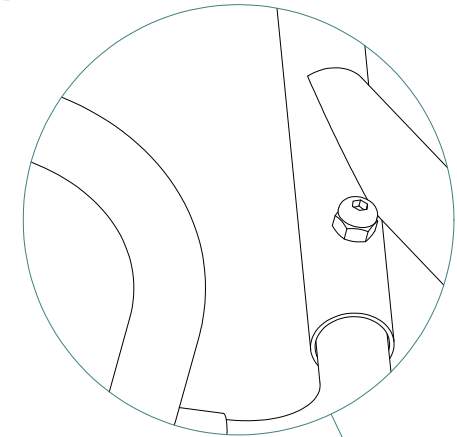
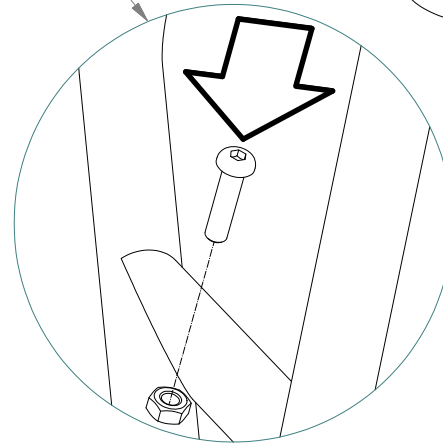




1 x
(1:6)



2 x



2 x 